

Connection Sets for Ionpure® CEDI modules

PLUMBING CONNECTION REQUIREMENTS

All Ionpure modules have four connection points for feed, concentrate, product, and reject streams. The connections in the VNX module platform are ACME-thread female connection points. While the LX modules have BSP male connections and the LX hot water sanitizable (HI) have BSP female connections.

All the above-mentioned CEDI modules, therefore, require special plumbing adapters or plugs. To avoid corrosion, the piping adapters and plugs must be non-metallic.

All VNX modules are standard delivered with PVC adapters for US pipe dimensions. For metric connection piping, optional PP-H 3-part union or TC connection sets are available: CSXPP3P06, CSXPP3P01, CSXPPTC01, CSXPPTC02 and CSXPPTC03. All of these connection sets will fit standard with +GF+ counter 3-part metric union parts in PP, PVC and SST.



CSXPP3P01



CSXPPTC01



CSXPPTC02



CSXPPTC03



CSXPP3P06

Ordering Information and Physical Specifications

Order	Model	Description	According to FDA requirements
5121001936	CSXPP3P06	Con. set VNX-2, PP-3P, 2x50DN40, 2x25DN20	Yes
5121001934	CSXPP3P01	Con. set LX, PP-3P industrial	Yes
5121001937	CSXPPTC01	PP-TC con. set LX, 2x5/4-TC50,5+2x3/4-TC25mm	Yes
5121001938	CSXPPTC02	PP-TC con. set LXHI, 2x5/4-TC50,5+2x3/4-TC25mm	Yes
5121001939	CSXPPTC03	PP-TC con. set LX, 2x 5/4-TC 50,5+2x 3/4-TC 50,5mm	Yes

For additional information: e-mail EDIsupport@purewatergroup.com
call +31 165 348 253 or visit www.purewatergroup.com

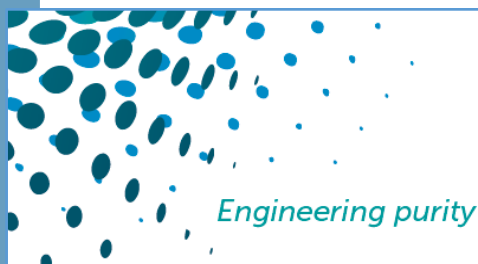
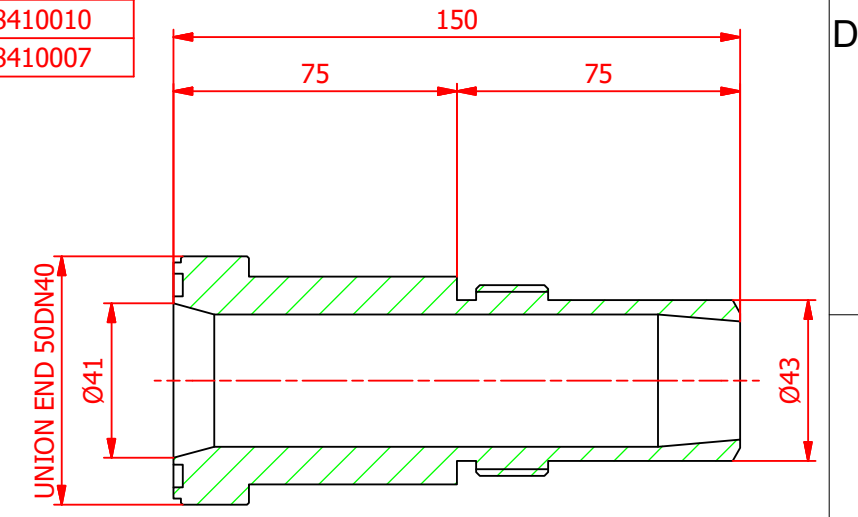
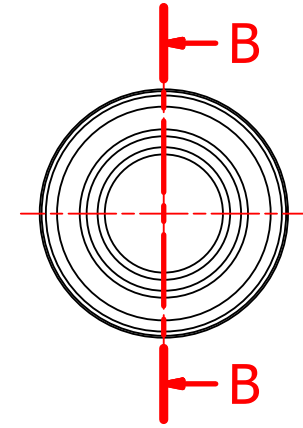
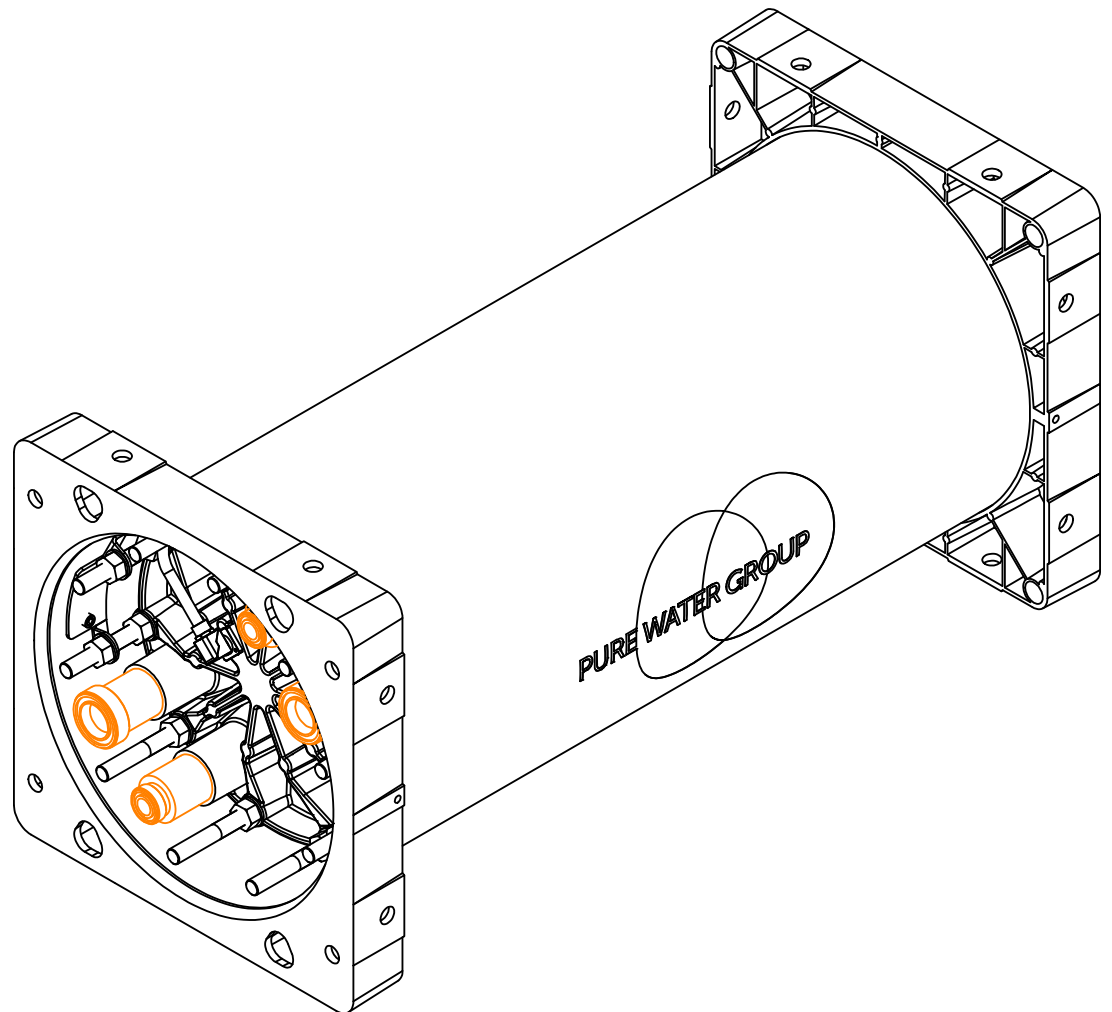
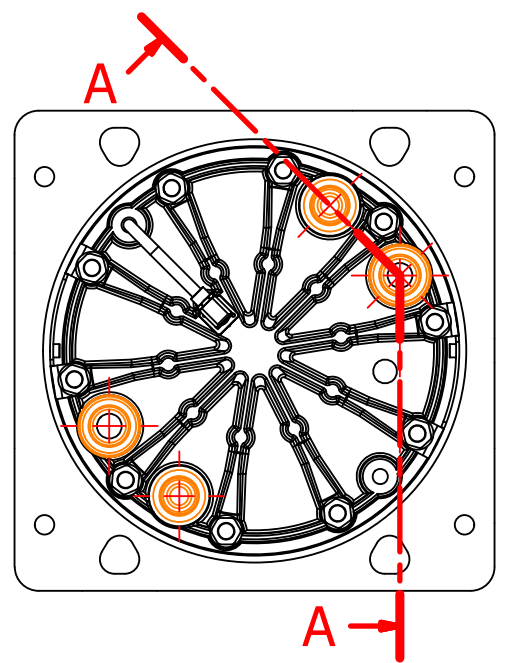
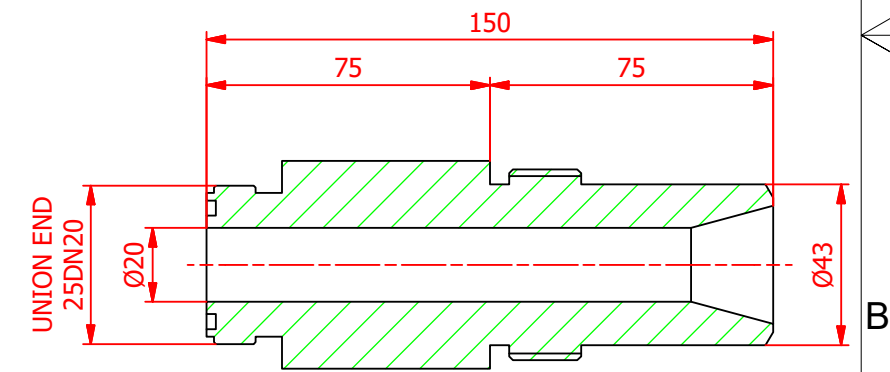
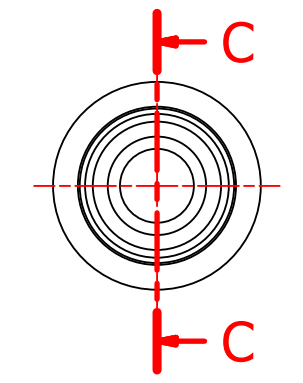


		TABLE								
Connector	Size	Counterpart Solvent socket +GF+ PVC-U	Counterpart Nut +GF+ PVC-U	Counterpart Solvent socket +GF+ PVC-C	Counterpart Nut +GF+ PVC-C	Counterpart Butt weld +GF+ PP-H	Counterpart Nut +GF+ PP-H	Counterpart Butt weld +GF+ SST316	Counterpart Nut +GF+ SST316	O-ring +GF+ EPDM
Feed/Product	50DN40 (1-1/2")	721500110	721890010	723800110	723690010	727508510	727890410	724605510	724690110	748410010
Conc./Reject	25DN20 (3/4")	721500107	721890007	723800107	723690007	727508507	727890407	724605507	724690107	748410007



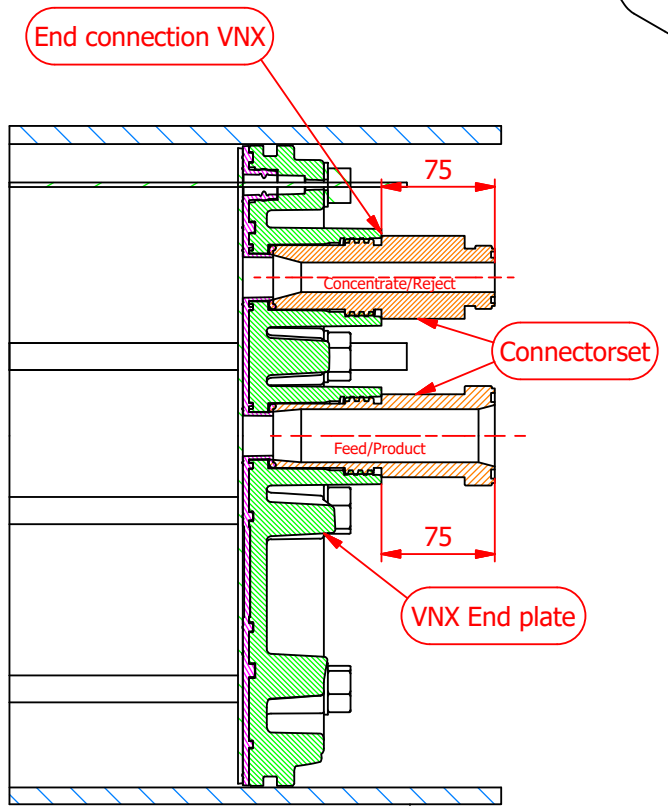
Section B-B

FEED/PRODUCT
(2x)

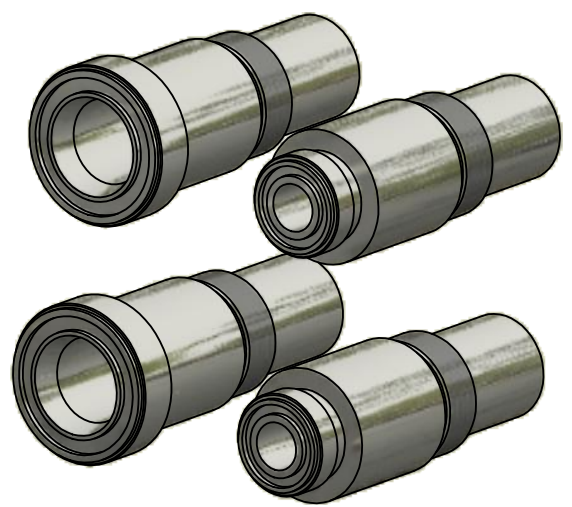


Section C-C

CONCEN./REJECT
(2x)



Section A-A

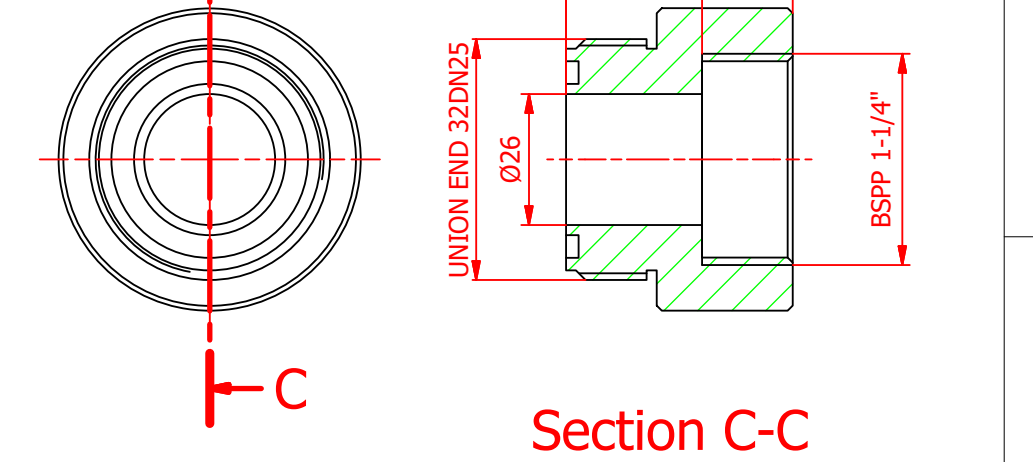
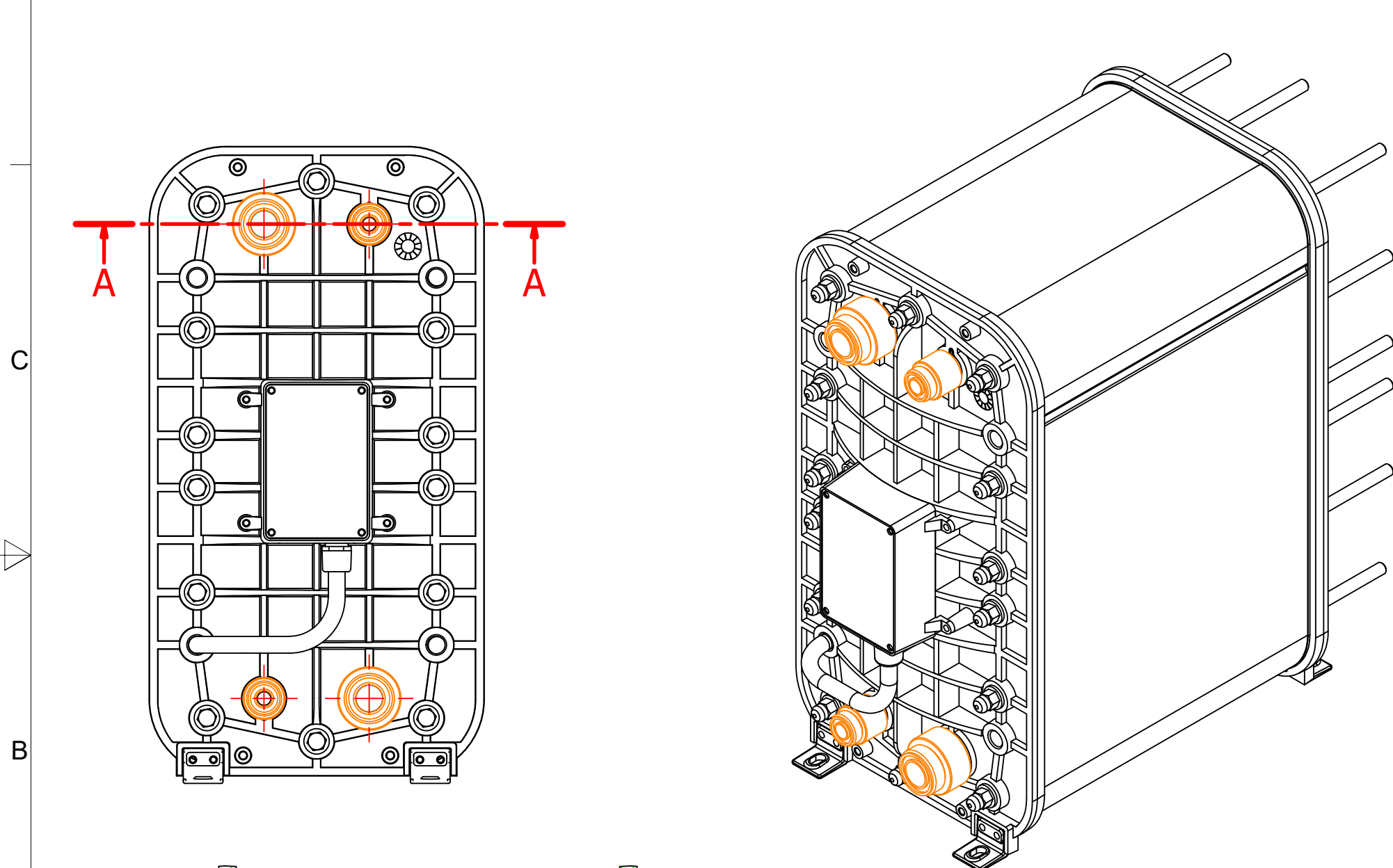


CONNECTOR SET

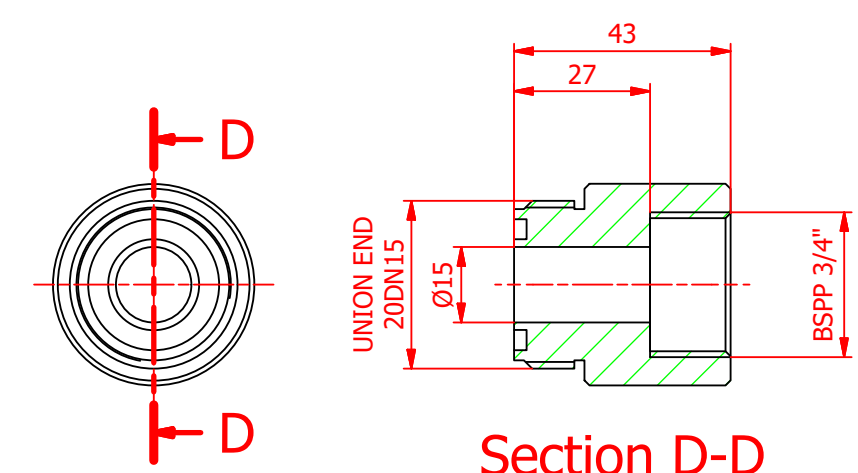
5				Material		Client
4				Treatment	NA	Project
3				Drawn	JB	27-7-2020
2				Checked		
1				Approved		
Rev	Changes	Date	Name			Con. set VNX-2, PP-3P, 2x50DN40, 2x25DN20
				Pure Water Technologies bv Korte Hei 3, 4714 RD Sprundel - The Netherlands T +31 165 348 253 F +31 165 348 254 www.purewatergroup.com info@purewatergroup.com		
				SCALE	NA	CSXPP3P06/0
						1 OF 1 A3

This document including all information contained thereon is the exclusive and confidential property of Pure Water Technologies bv. The document and its information are not to be copied without authorization from Pure Water Technologies bv. It is not to be used in any manner detrimental to the interests of Pure Water Technologies bv. It is loaned on the condition of return on demand.

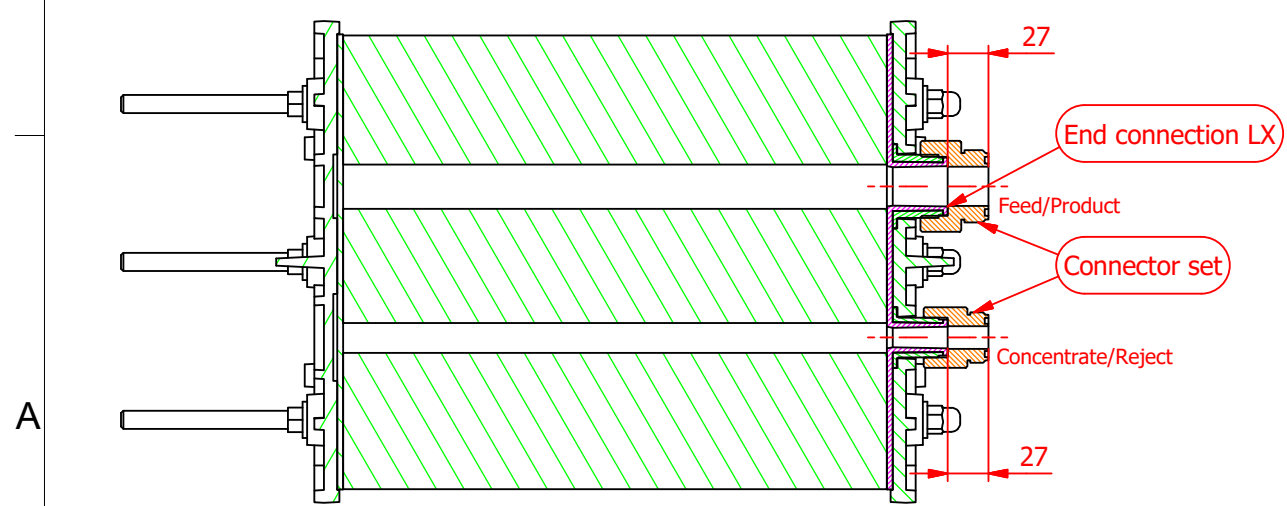
CONNECTIONS										
Connector	Size	Counterpart Solvent socket +GF+ PVC-U	Counterpart Nut +GF+ PVC-U	Counterpart Solvent socket +GF+ PVC-C	Counterpart Nut +GF+ PVC-C	Counterpart Butt weld +GF+ PP-H	Counterpart Nut +GF+ PP-H	Counterpart Butt weld +GF+ SST316	Counterpart Nut +GF+ SST316	O-ring +GF+ EPDM
Feed/Product	32DN25 (1")	721500108	721890008	723800108	723690008	727508508	727890408	724605508	724690108	748410008
Conc./Reject	20DN15 (1/2")	721500106	721890006	723800106	723690006	727508506	727890406	724605506	724690106	748410006



Section C-C
FEED/PRODUCT (2x)



Section D-D
CONCEN./REJECT (2x)

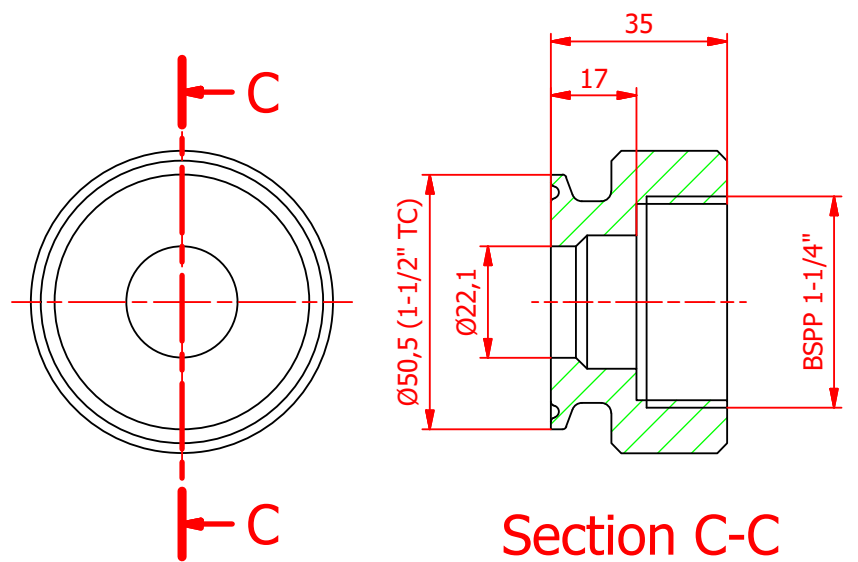
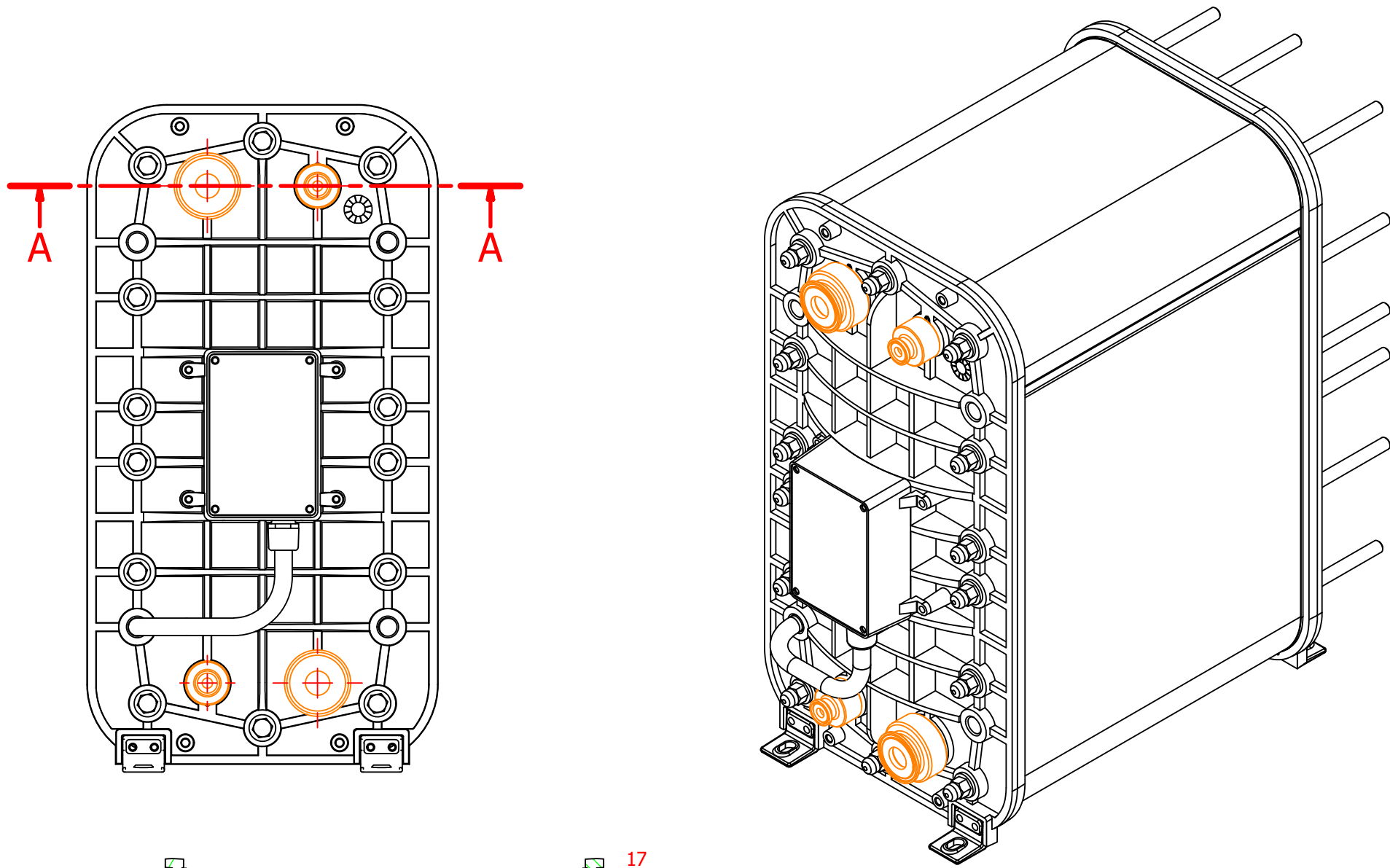


Section A-A

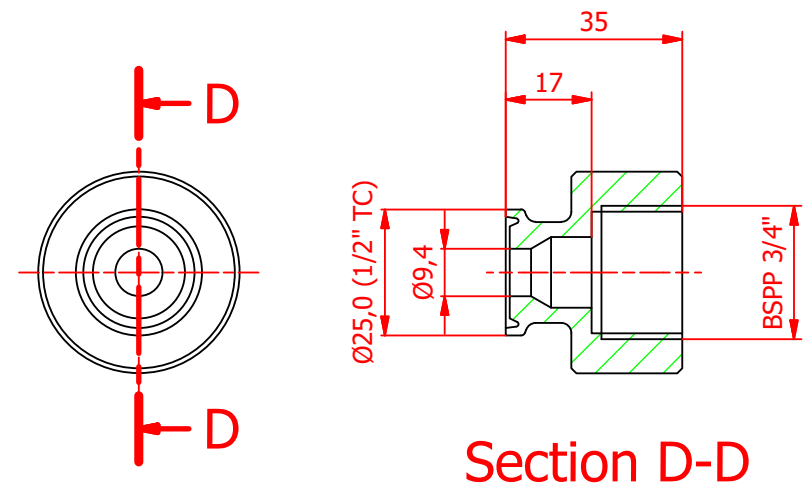
5				Material		Client
4				Treatment	NA	Project
3				Drawn	JB 27-7-2020	
2				Checked		
1				Approved		
Rev	Changes	Date	Name			Connection set LX, PP-3P industrial
				Pure Water Technologies bv Korte Hei 3, 4714 RD Sprundel - The Netherlands T +31 165 348 253 F +31 165 348 254 www.purewatergroup.com info@purewatergroup.com		
				SCALE	NA	CSXPP3P01/0
						1 OF 1 A3

This document including all information contained thereon is the exclusive and confidential property of Pure Water Technologies bv. The document and its information are not to be copied without authorization from Pure Water Technologies bv. It is not to be used in any manner detrimental to the interests of Pure Water Technologies bv. It is loaned on the condition of return on demand.

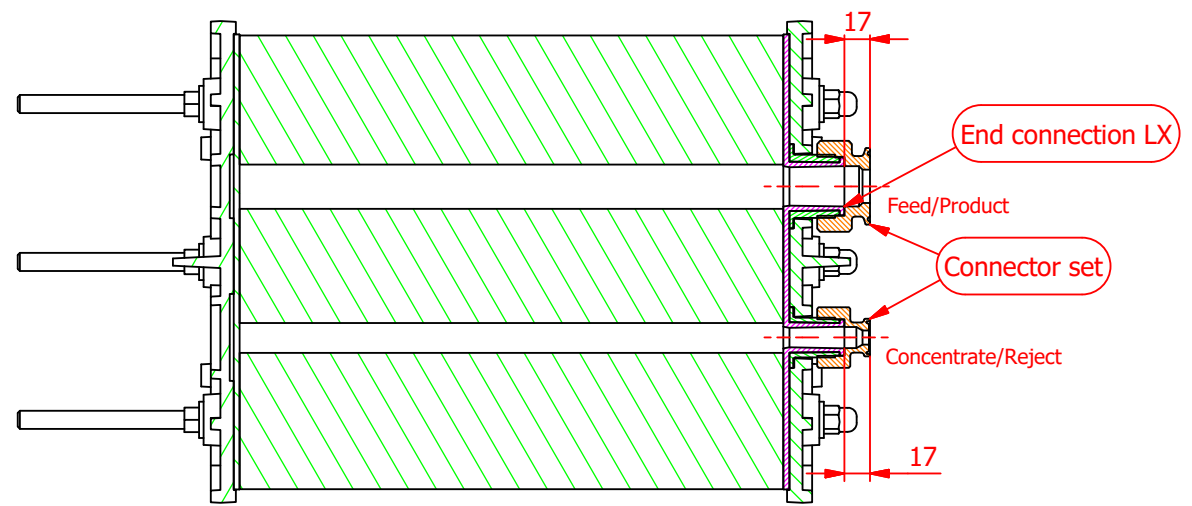
		CONNECTIONS		
Connector	Size	Counterpart Butt weld +GF+ PVDF	Counterpart Butt weld Maxpure SST316	Tri-Clamp Gasket Maxpure EPDM
Feed/Product	Tri-Clamp 1" ASME BPE	735598362	TEG14BM76L1.0	TEG401.0-EPDM
Conc./Reject	Tri-Clamp 1/2" ASME BPE	735598357	TEG14BM76L.5	TEG40.5-EPDM



**FEED/PRODUCT
(2x)**



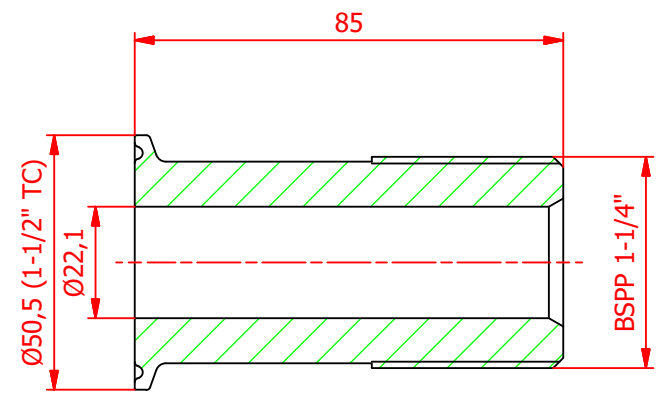
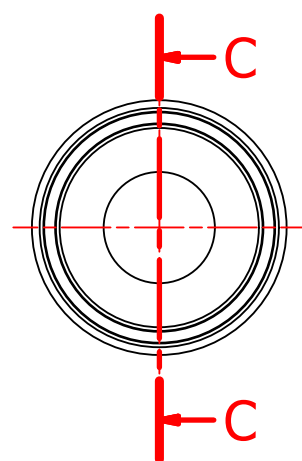
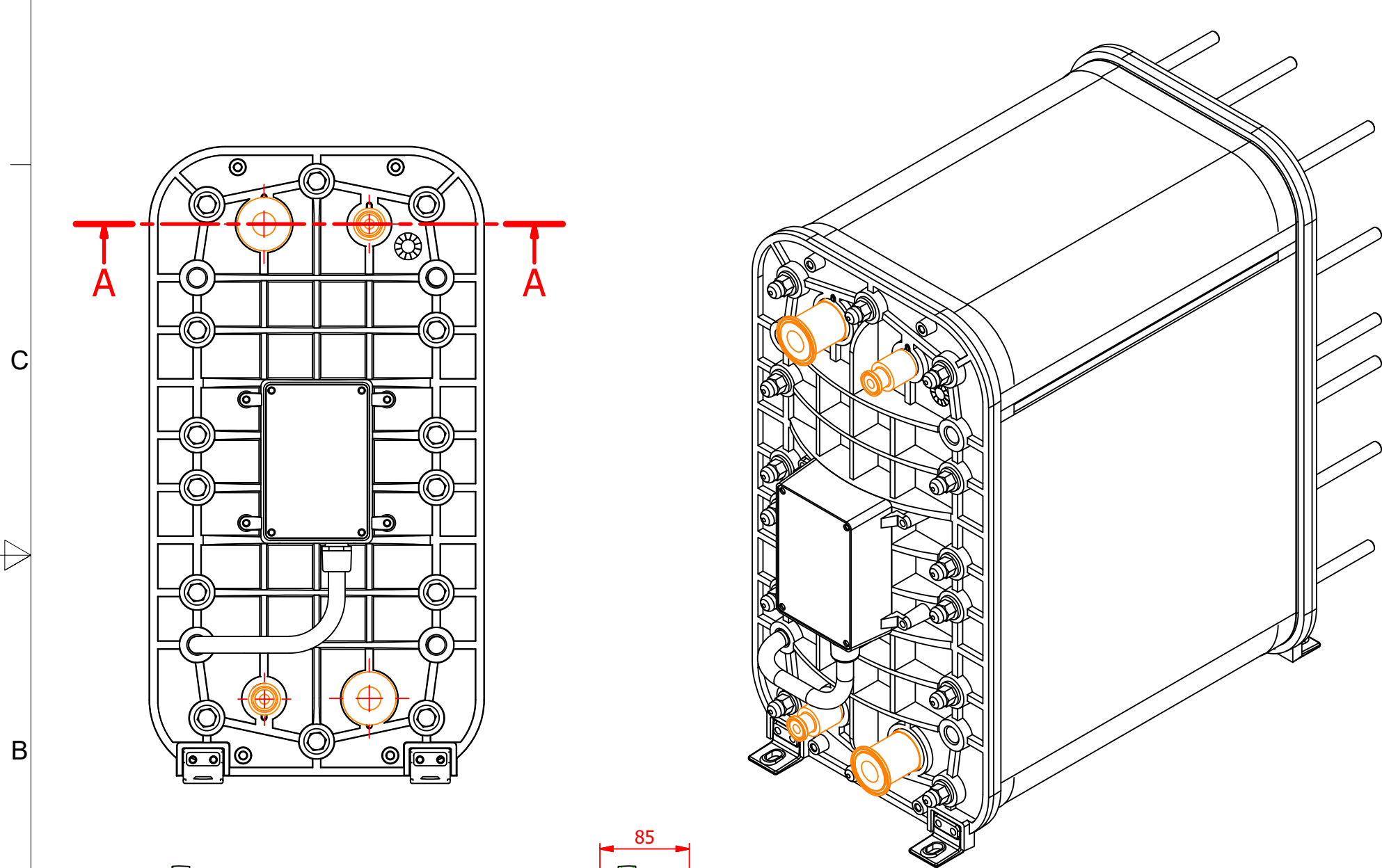
**CONCEN./REJECT
(2x)**



Section A-A

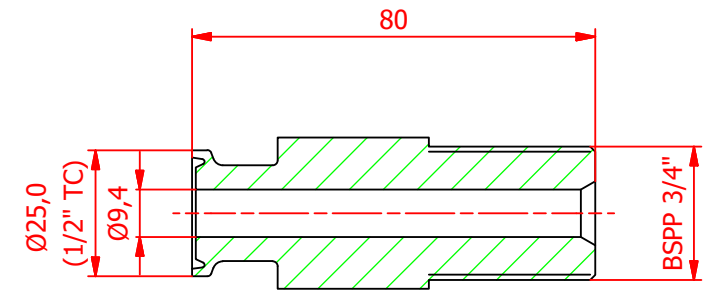
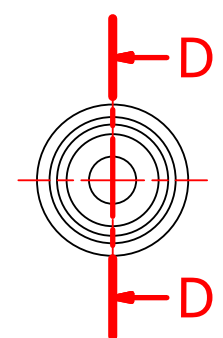
5				Material		Client
4				Treatment	NA	Project
3				Drawn	JB 27-7-2020	<p align="center">PP-TC con.set LX, 2x5/4-TC50,5+2x3/4-TC25mm</p>
2				Checked		
1				Approved		
Rev	Changes	Date	Name			
				Pure Water Technologies bv Korte Hei 3, 4714 RD Sprundel - The Netherlands T +31 165 348 253 F +31 165 348 254 www.purewatergroup.com info@purewatergroup.com		SCALE <p align="center">NA</p>
This document including all information contained thereon is the exclusive and confidential property of Pure Water Technologies bv. The document and its information are not to be copied without authorization from Pure Water Technologies bv. It is not to be used in any manner detrimental to the interests of Pure Water Technologies bv. It is loaned on the condition of return on demand.						
						1 OF 1 A3

		CONNECTIONS		
Connector	Size	Counterpart Butt weld +GF+ PVDF	Counterpart Butt weld Maxpure SST316	Tri-Clamp Gasket Maxpure EPDM
Feed/Product	Tri-Clamp 1" ASME BPE	735598362	TEG14BM76L1.0	TEG401.0-EPDM
Conc./Reject	Tri-Clamp 1/2" ASME BPE	735598357	TEG14BM76L.5	TEG40.5-EPDM



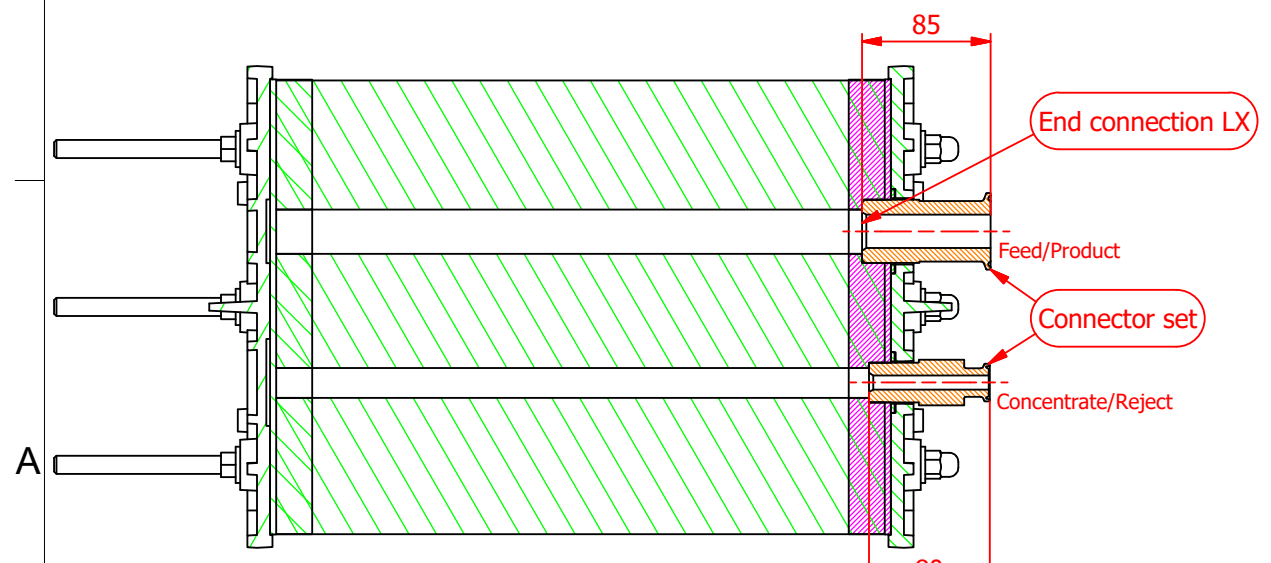
Section C-C

FEED/PRODUCT
(2x)



Section D-D

CONCEN./REJECT
(2x)

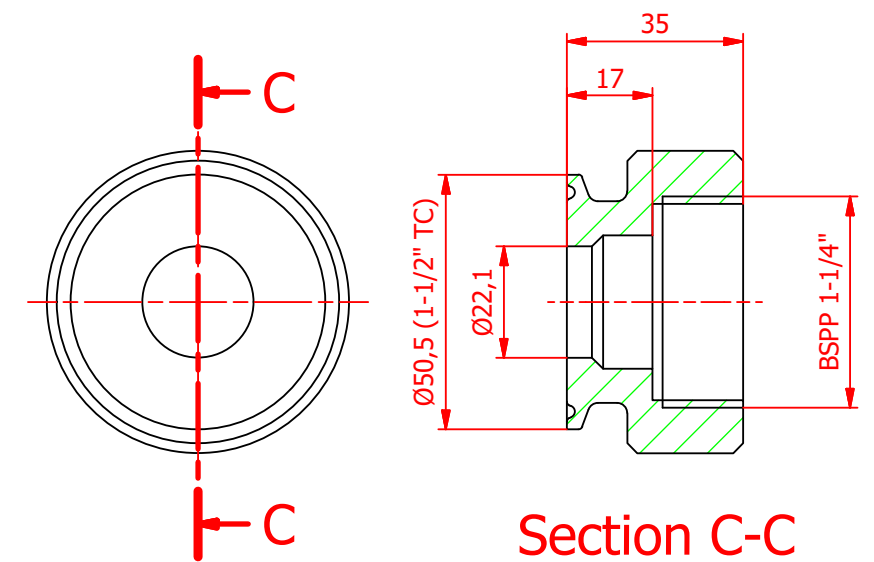
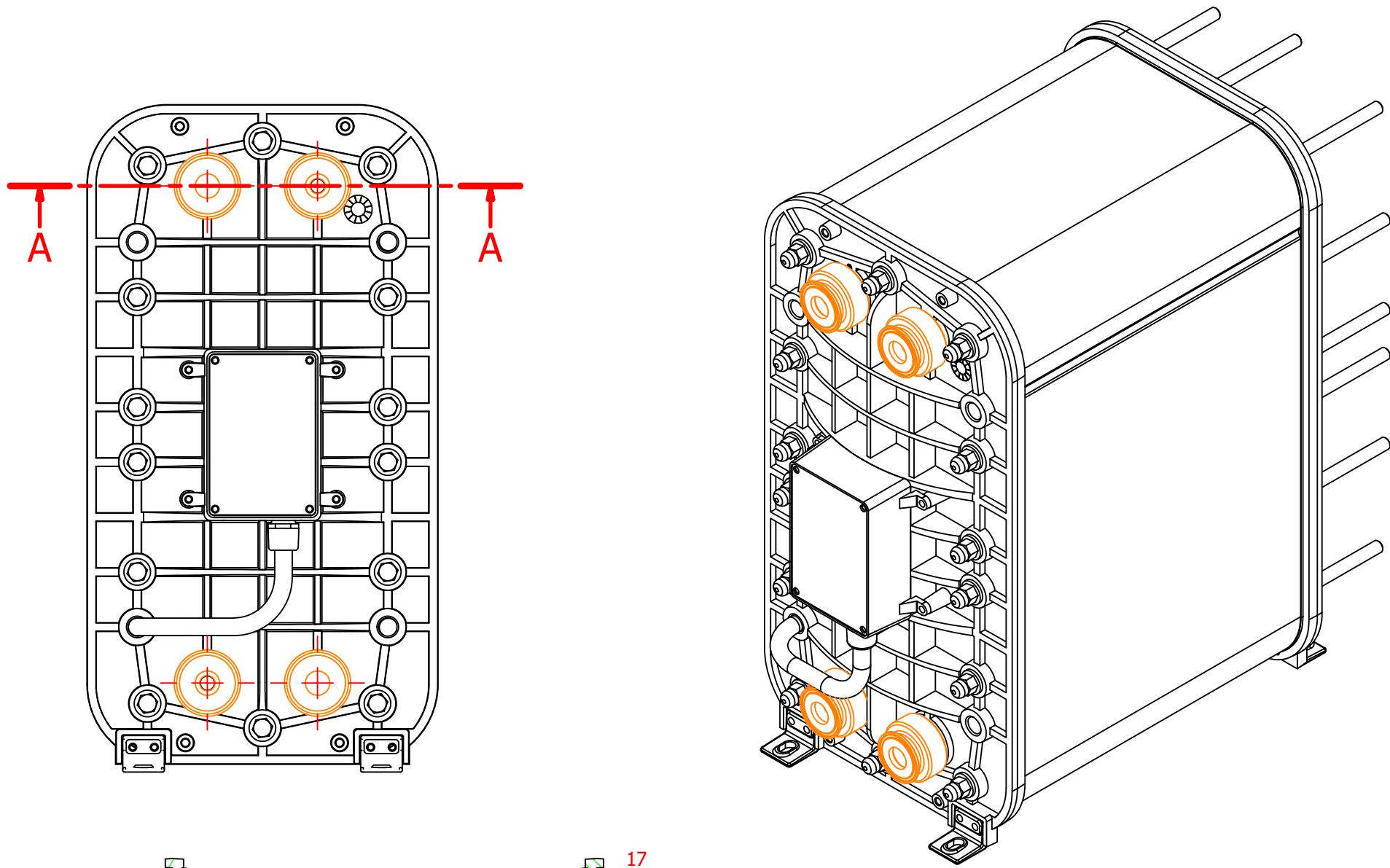


Section A-A

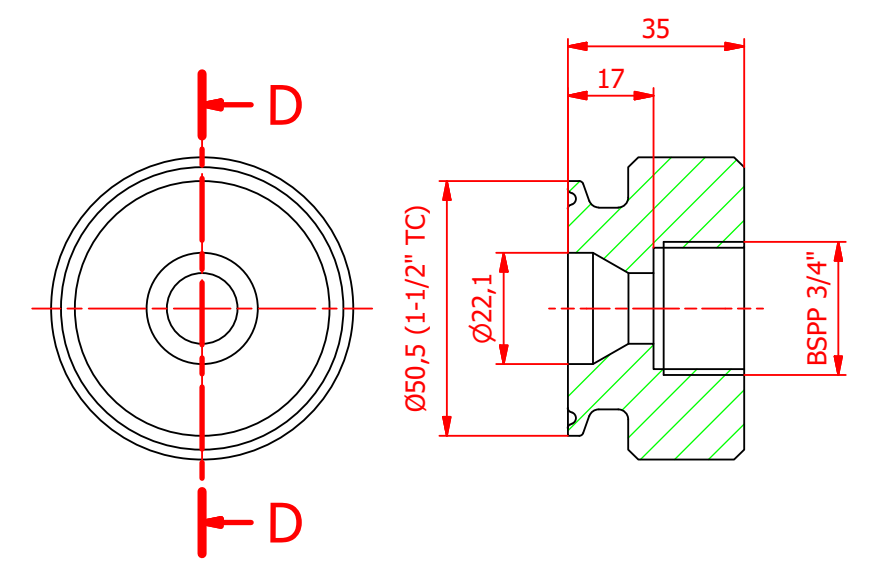
5				Material		Client
4				Treatment	NA	Project
3				Drawn	JB 27-7-2020	
2				Checked		
1				Approved		
Rev	Changes	Date	Name			
Pure Water Technologies bv Korte Hei 3, 4714 RD Sprundel - The Netherlands T +31 165 348 253 F +31 165 348 254 www.purewatergroup.com info@purewatergroup.com				SCALE NA		PP-TC con.set LXHI, 2x5/4-TC50,5+2x3/4-TC25mm
						CSXPPTC02/0 1 OF 1 A3

This document including all information contained thereon is the exclusive and confidential property of Pure Water Technologies bv. The document and its information are not to be copied without authorization from Pure Water Technologies bv. It is not to be used in any manner detrimental to the interests of Pure Water Technologies bv. It is loaned on the condition of return on demand.

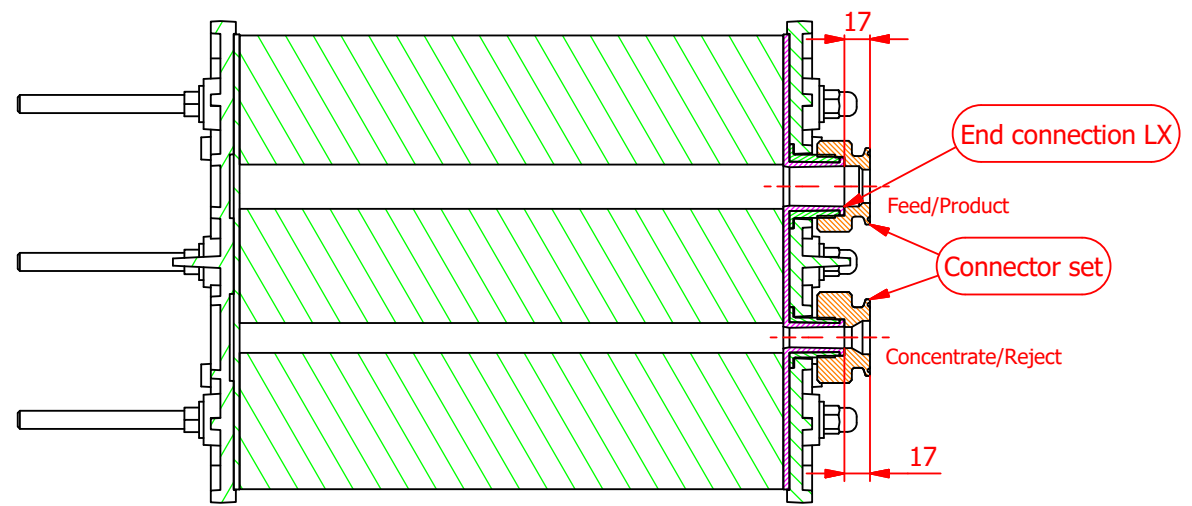
		TABLE		
Connector	Size	Counterpart Butt weld +GF+ PVDF	Counterpart Butt weld Maxpure SST316	Tri-Clamp Gasket Maxpure EPDM
Feed/Product	Tri-Clamp 1" ASME BPE	735598362	TEG14BM76L1.0	TEG401.0-EPDM
Conc./Reject	Tri-Clamp 1" ASME BPE	735598362	TEG14BM76L1.0	TEG401.0-EPDM



**FEED/PRODUCT
(2x)**



**CONCEN./REJECT
(2x)**



5				Material		Client
4				Treatment	NA	Project
3				Drawn	JB 27-7-2020	PP-TC con.set LX, 2x 5/4-TC 50,5+2x 3/4-TC 50,5mm
2				Checked		
1				Approved		
Rev	Changes	Date	Name			CSXPPTC03/0 1 OF 1 A3
				Pure Water Technologies bv Korte Hei 3, 4714 RD Sprundel - The Netherlands T +31 165 348 253 F +31 165 348 254 www.purewatergroup.com info@purewatergroup.com		
				SCALE	NA	

This document including all information contained thereon is the exclusive and confidential property of Pure Water Technologies bv. The document and its information are not to be copied without authorization from Pure Water Technologies bv. It is not to be used in any manner detrimental to the interests of Pure Water Technologies bv. It is loaned on the condition of return on demand.