

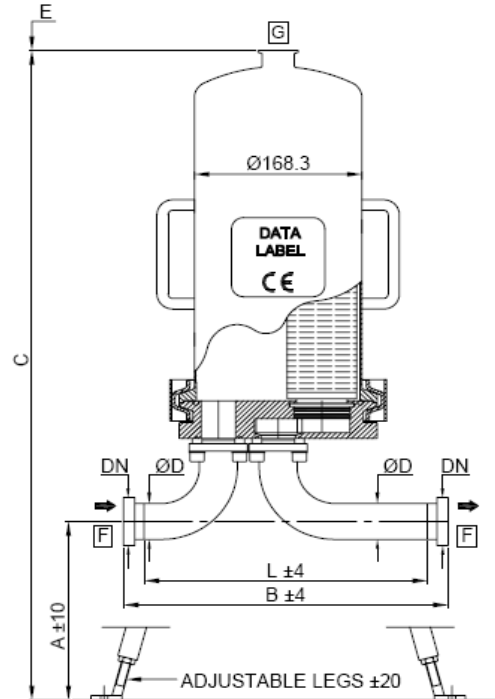
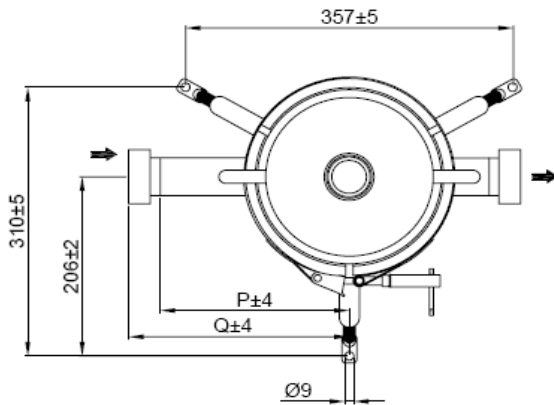
The future filtration



Via Caduti del Lavoro
43043 Borgo Val di Taro (Parma) – Italy
Tel. +39-0525-920108 Fax +39-0525-90177
E.mail info@everblue.it Web site www.everblue.it
C.F./P.I. IT 02177630346



FILTRO AISI 316 L SH0-C7-3



PART NUMBERS

CARTRIDGE SOCKET		CARTRIDGE HEIGHT	
0	226 / CODE 7	1	10"
1	222 / CODE 8	2	20"
		3	30"
		4	40"

501 X 03 Y ZZZZ

INLET-OUTLET CONNECTIONS

CONNECTION	1038	DN	A	L	P	ØD
WELD		1.5"	340	285	135	38.1
DIN 11851 MALE PART	2040	DN	A	B	Q	ØD
		40	340	351	168	38.1
CLAMP	3038	DN	A	B	Q	ØD
		1.5"	340	310	148	38.1
RJT MALE PART	4038	DN	A	B	Q	ØD
		1.5"	340	349	167	38.1
SMS MALE PART	5038	DN	A	B	Q	ØD
		1.5"	340	331	158	38.1
FLANGES DIN 2633	9038	DN	A	B	Q	ØD
		32	340	365	173	38.1
FLANGES ANSI 150 lb	8038	DN	A	B	Q	ØD
		1.25"	340	400	192	38.1

TECHNICAL DATA

VESSEL RANGE	SH - SANITARY			
NO. CARTRIDGES	03			
DESIGN CODE	AD MERKBLATT			
CERTIFICATION	CE 97/23 PED			
FLUID GROUP	1 - 2 (DANGEROUS AND NOT)			
HAZARD CATEGORY	I			
DESIGN PRESSURE (PS)	10 bar			
TEST PRESSURE (PT)	14.5 bar			
VESSEL MATERIAL	316L / 1.4404			
SEALS MATERIAL	SILICONE FDA BGA APPROVED			
INTERNAL FINISHING	MECHANICAL POLISHING			
INTERNAL ROUGHNESS	RA<0.8 MICRON			
EXTERNAL FINISHING	MECHANICAL POLISHING			
VENT CONNECTION G	CLAMP 1.5"			

	SH031	SH032	SH033	SH034
VESSEL TYPE	10"	20"	30"	40"
CARTRIDGES HEIGHT	10"	20"	30"	40"
C mm	810	1060	1310	1560
E mm	290	540	790	1040
TOTAL VESSEL VOLUME litres (V)	7.3	12.6	17.8	23.1
INTEGRITY TEST VOLUME litres (Vi)	4.7	7.5	10.4	13.3
BOWL WEIGHT kg	4.0	6.0	8.0	10.0
TOTAL NET WEIGHT kg	17.4	19.4	21.4	23.4
PACKAGING SIZE CM40x40x	75	100	116	138
TOTAL WEIGHT PACKED kg	23.0	25.0	27.0	29.0

WORKING CONDITIONS CE 97/23			MAX PRESSURE bar			
FLUID GROUP	STATE	TEMPERAT.	SH031	SH032	SH033	SH034
DANGEROUS	LIQUID	0 - 40° C	10.0	10.0	10.0	10.0
DANGEROUS	LIQUID	150° C	7.5	7.5	7.5	7.5
DANGEROUS	GAS/VAPOR	0 - 150° C	6.8	3.9	2.8	2.1
NOT DANGER.	LIQUID	0 - 40° C	10.0	10.0	10.0	10.0
NOT DANGER.	LIQUID	150° C	7.5	7.5	7.5	7.5
NOT DANGER.	GAS/VAPOR	0 - 40° C	10.0	10.0	10.0	8.6
NOT DANGER.	GAS/VAPOR	150° C	7.5	7.5	7.5	7.5
INTEGRITY TEST			10.0	10.0	10.0	10.0

The future filtration

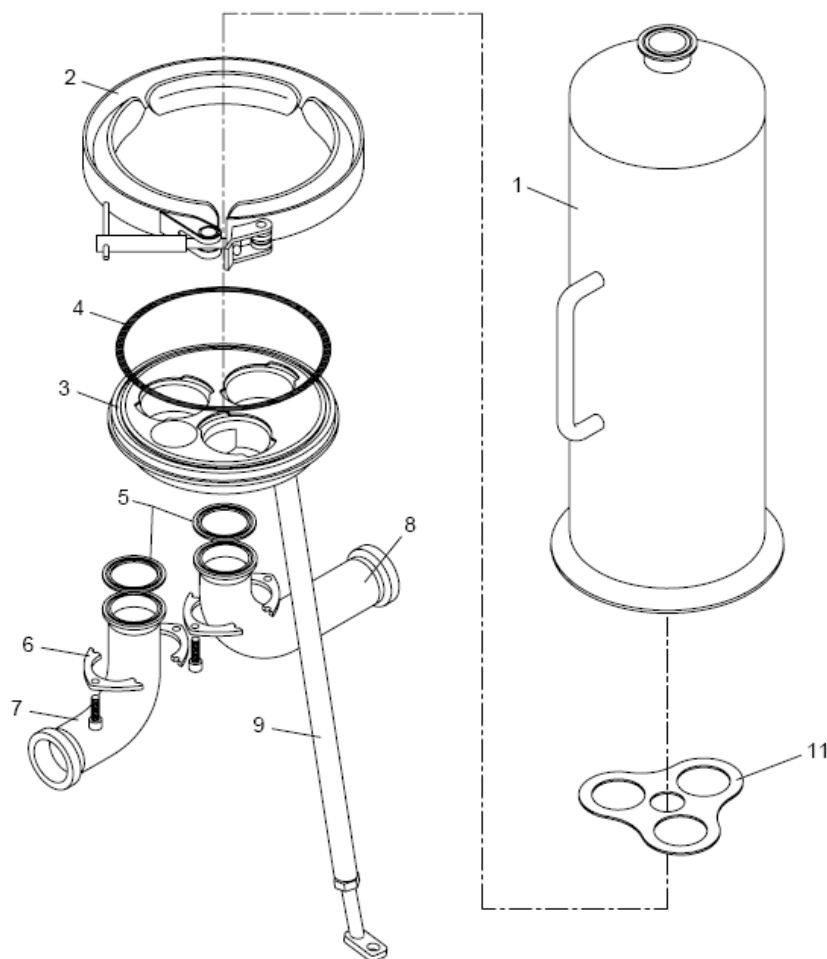


Via Caduti del Lavoro
43043 Borgo Val di Taro (Parma) – Italy
Tel. +39-0525-920108 Fax +39-0525-90177
E.mail info@everblue.it Web site www.everblue.it
C.F./P.I. IT 02177630346



POS.	DESCRIPTION	MATERIAL	PART. NO.	Q.TY
1.1	HOUSING BOWL 10"	AISI 316L	1815	1
1.2	HOUSING BOWL 20"	AISI 316L	1816	1
1.3	HOUSING BOWL 30"	AISI 316L	1817	1
1.4	HOUSING BOWL 40"	AISI 316L	1818	1
2	V-BAND	AISI 304	20022	1
3	CARTRIDGES PLATE	AISI 316L	1801	1
4	O-RING ø5.34 ID=158.11	SILICONE *	80705S	1
5	GASKET CLAMP 1.5"	PTFE	80057P	2
6	BEND FLANGE	AISI 304	1705	4
7	INLET BEND	AISI 316L	.	1
8	OUTLET BEND	AISI 316L	.	1
9	COMPLETE LEG	AISI 304	20304	3
11	PROTECTION PLATE	AISI 316L	1043	1
12	EXAGONAL NUT	AISI 316L	80792	3
13	TIE ROD 10"	AISI 316L	1880	1
	TIE ROD 20"	AISI 316L	1546	1
	TIE ROD 30"	AISI 316L	1547	1
	TIE ROD 40"	AISI 316L	1548	1
14	TIE ROD SCREW	AISI 316L	80794	1

* ASK FOR AVAILABLE MATERIALS



ONLY FOR 222 - CODE 8

