

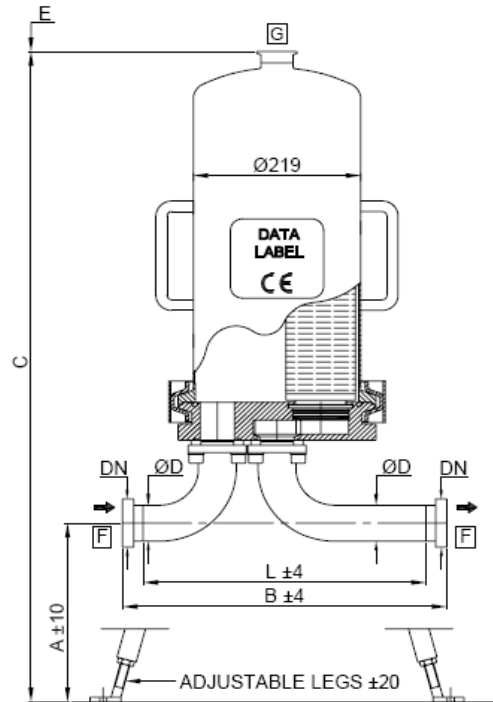
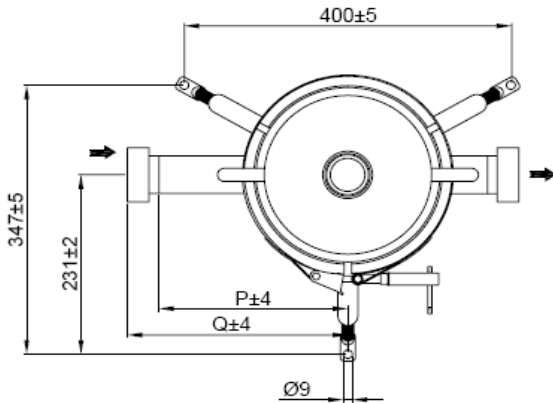
The future filtration



Via Caduti del Lavoro
43043 Borgo Val di Taro (Parma) – Italy
Tel. +39-0525-920108 Fax +39-0525-90177
E.mail info@everblue.it Web site www.everblue.it
C.F./P.I. IT 02177630346



FILTRO AISI 316 L SH0-C7-5



PART NUMBERS

CARTRIDGE SOCKET		CARTRIDGE HEIGHT	
0	226 / CODE 7	1	10"
1	222 / CODE 8	2	20"
		3	30"
		4	40"

501 X 05 Y ZZZZ

INLET-OUTLET CONNECTIONS

F WELD		DN	A	L	P	ØD
		1038	1.5"	340	305	155
1051	2.0"	310	353	183	50.8	

F DIN 11851 MALE PART		DN	A	B	Q	ØD
		2040	40	340	371	188
2050	50	310	423	218	50.8	

F CLAMP		DN	A	B	Q	ØD
		3038	1.5"	340	331	168
3051	2.0"	310	379	196	50.8	

F RJT MALE PART		DN	A	B	Q	ØD
		4038	1.5"	340	369	187
4051	2.0"	310	417	215	50.8	

F SMS MALE PART		DN	A	B	Q	ØD
		5038	1.5"	340	351	178
5051	2.0"	310	403	208	50.8	

F FLANGES DIN 2633		DN	A	B	Q	ØD
		9038	32	340	385	195
9051	40	310	437	225	50.8	

F FLANGES ANSI 150 lb		DN	A	B	Q	ØD
		8038	1.25"	340	419	212
8051	1.5"	310	477	245	50.8	
8052	2.0"	310	483	248	50.8	

TECHNICAL DATA

VESSEL RANGE	SH - SANITARY
NO. CARTRIDGES	05
DESIGN CODE	AD MERKBLATT
CERTIFICATION	CE 97/23 PED
FLUID GROUP	1 - 2 (DANGEROUS AND NOT)
HAZARD CATEGORY	I
DESIGN PRESSURE (PS)	10 bar
TEST PRESSURE (PT)	14.5 bar
VESSEL MATERIAL	316L / 1.4404
SEALS MATERIAL	SILICONE FDA BGA APPROVED
INTERNAL FINISHING	MECHANICAL POLISHING
INTERNAL ROUGHNESS	RA<0.8 MICRON
EXTERNAL FINISHING	MECHANICAL POLISHING
VENT CONNECTION [G]	CLAMP 1.5"

VESSEL TYPE	SH051	SH052	SH053	SH054
CARTRIDGES HEIGHT	10"	20"	30"	40"
C mm	825	1075	1325	1575
E mm	290	540	790	1040
TOTAL VESSEL VOLUME litres (V)	11.0	20.0	29.1	38.2
INTEGRITY TEST VOLUME litres (Vi)	6.6	11.7	16.8	21.8
BOWL WEIGHT kg	5.3	7.5	10.2	12.9
TOTAL NET WEIGHT kg	18.0	20.0	22.0	24.0
PACKAGING SIZE CM45x33x	75	100	118	143
TOTAL WEIGHT PACKED kg	24.0	26.0	28.0	30.0

WORKING CONDITIONS CE 97/23			MAX PRESSURE bar			
FLUID GROUP	STATE	TEMPERAT.	SH051	SH052	SH053	SH054
DANGEROUS	LIQUID	0 - 40° C	10.0	10.0	10.0	10.0
DANGEROUS	LIQUID	150° C	7.5	7.5	7.5	7.5
DANGEROUS	GAS/VAPOR	0 - 150° C	4.5	2.4	1.7	1.3
NOT DANGER.	LIQUID	0 - 40° C	10.0	10.0	10.0	10.0
NOT DANGER.	LIQUID	150° C	7.5	7.5	7.5	7.5
NOT DANGER.	GAS/VAPOR	0 - 40° C	10.0	9.9	6.8	5.2
NOT DANGER.	GAS/VAPOR	150° C	7.5	7.5	6.8	5.2
INTEGRITY TEST			10.0	10.0	10.0	9.1

The future filtration



Via Caduti del Lavoro
43043 Borgo Val di Taro (Parma) – Italy
Tel. +39-0525-920108 Fax +39-0525-90177
E.mail info@everblue.it Web site www.everblue.it
C.F./P.I. IT 02177630346



POS.	DESCRIPTION	MATERIAL	PART. NO.	Q.TY
1.1	HOUSING BOWL 20"	AISI 316L	1819	1
1.2	HOUSING BOWL 30"	AISI 316L	1820	1
1.3	HOUSING BOWL 40"	AISI 316L	1821	1
2	V-BAND	AISI 304	20023	1
3	CARTRIDGES PLATE	AISI 316L	1803	1
4	O-RING $\varnothing 5.34$ ID=208.91	SILICONE *	80774S	1
5	GASKET CLAMP 2"	PTFE	80022P	2
6	BEND FLANGE	AISI 304	1563	4
7	INLET BEND	AISI 316L	.	1
8	OUTLET BEND	AISI 316L	.	1
9	COMPLETE LEG	AISI 304	20304	3
11	PROTECTION PLATE	AISI 316L	1044	1
12	EXAGONAL NUT	AISI 316L	80792	3
13	TIE ROD 10"	AISI 316L	1880	1
	TIE ROD 20"	AISI 316L	1546	1
	TIE ROD 30"	AISI 316L	1547	1
	TIE ROD 40"	AISI 316L	1548	1
14	TIE ROD SCREW	AISI 316L	80794	1

* ASK FOR AVAILABLE MATERIALS

