

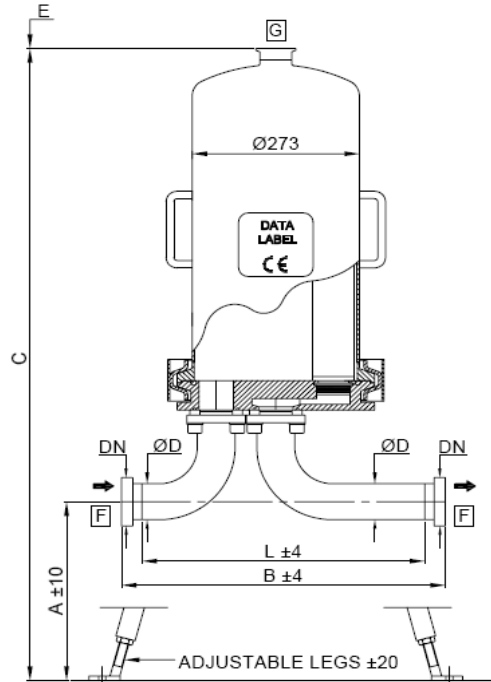
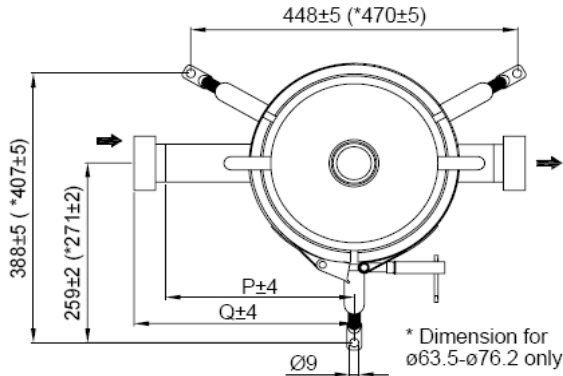
The future filtration



Via Caduti del Lavoro
43043 Borgo Val di Taro (Parma) – Italy
Tel. +39-0525-920108 Fax +39-0525-90177
E.mail info@everblue.it Web site www.everblue.it
C.F./P.I. IT 02177630346



FILTRO AISI 316 L SH0-C7-8



PART NUMBERS

CARTRIDGE SOCKET		CARTRIDGE HEIGHT	
0	226 / CODE 7	1	10"
1	222 / CODE 8	2	20"
		3	30"
		4	40"

501 X 08 Y ZZZZ

INLET-OUTLET CONNECTIONS

[F] WELD	DN	A L P			ØD
		1038	1051	1063	
	1.5"	340	331	181	38.1
	2.0"	310	379	209	50.8
	2.5"	281	442	230	63.5
	3.0"	253	498	258	76.2

[F] DIN 11851 MALE PART	DN	A B Q			ØD
		2040	2050	2065	
	40	340	397	214	38.1
	50	310	449	244	50.8
	65	281	518	268	63.5
	80	253	588	303	76.2

[F] CLAMP	DN	A B Q			ØD
		3038	3051	3063	
	1.5"	340	357	194	38.1
	2.0"	310	405	222	50.8
	2.5"	281	468	243	63.5
	3.0"	253	524	271	76.2

[F] RJT MALE PART	DN	A B Q			ØD
		4038	4051	4063	
	1.5"	340	395	213	38.1
	2.0"	310	443	241	50.8
	2.5"	281	506	262	63.5
	3.0"	253	562	290	76.2

[F] SMS MALE PART	DN	A B Q			ØD
		5038	5051	5063	
	1.5"	340	377	204	38.1
	2.0"	310	429	234	50.8
	2.5"	281	502	260	63.5
	3.0"	253	568	293	76.2

[F] FLANGES DIN 2633	DN	A B Q			ØD
		9038	9051	9063	
	32	340	411	221	38.1
	40	310	463	251	50.8
	50	281	532	275	63.5
	65	253	588	303	76.2

[F] FLANGES ANSI 150 lb	DN	A B Q			ØD
		8038	8051	8052	
	1.25"	340	445	238	38.1
	1.5"	310	503	271	50.8
	2.0"	310	509	274	50.8
	2.5"	281	582	303	63.5
	3.0"	253	638	328	76.2

TECHNICAL DATA

VESSEL RANGE	SH - SANITARY
NO. CARTRIDGES	08
DESIGN CODE	AD MERKBLATT
CERTIFICATION	CE 97/23 PED
FLUID GROUP	1 - 2 (DANGEROUS AND NOT)
HAZARD CATEGORY	I
DESIGN PRESSURE (PS)	10 bar
TEST PRESSURE (PT)	14.5 bar
VESSEL MATERIAL	316L / 1.4404
SEALS MATERIAL	SILICONE FDA BGA APPROVED
INTERNAL FINISHING	MECHANICAL POLISHING
INTERNAL ROUGHNESS	RA-0.8 MICRON
EXTERNAL FINISHING	MECHANICAL POLISHING
VENT CONNECTION [G]	CLAMP 1.5"

VESSEL TYPE	SH081	SH082	SH083	SH084
CARTRIDGES HEIGHT	10"	20"	30"	40"
C mm	846	1096	1346	1596
E mm	290	540	790	1040
TOTAL VESSEL VOLUME litres (V)	21.3	35.5	49.7	63.9
INTEGRITY TEST VOLUME litres (Vi)	14.4	22.2	30.0	37.8
BOWL WEIGHT kg	7.0	10.0	13.0	16.0
TOTAL NET WEIGHT kg	27.0	30.0	33.0	36.0
PACKAGING SIZE CM50x40x	75	100	118	143
TOTAL WEIGHT PACKED kg	30.0	34.0	38.0	42.0

WORKING CONDITIONS CE 97/23			MAX PRESSURE bar			
FLUID GROUP	STATE	TEMPERAT.	SH081	SH082	SH083	SH084
DANGEROUS	LIQUID	0 - 40° C	10.0	10.0	10.0	10.0
DANGEROUS	LIQUID	150° C	7.5	7.5	7.5	7.5
DANGEROUS	GAS/VAPOR	0 - 150° C	2.3	1.4	1.0	0.7
NOT DANGER.	LIQUID	0 - 40° C	10.0	10.0	10.0	10.0
NOT DANGER.	LIQUID	150° C	7.5	7.5	7.5	7.5
NOT DANGER.	GAS/VAPOR	0 - 40° C	9.4	5.6	4.0	3.1
NOT DANGER.	GAS/VAPOR	150° C	7.5	5.6	4.0	3.1
INTEGRITY TEST			10.0	9.0	6.6	5.2

The future filtration



Via Caduti del Lavoro
43043 Borgo Val di Taro (Parma) – Italy
Tel. +39-0525-920108 Fax +39-0525-90177
E.mail info@everblue.it Web site www.everblue.it
C.F./P.I. IT 02177630346



POS.	DESCRIPTION	MATERIAL	PART. NO.	Q.TY
1.1	HOUSING BOWL 20"	AISI 316L	1822	1
1.2	HOUSING BOWL 30"	AISI 316L	1823	1
1.3	HOUSING BOWL 40"	AISI 316L	1824	1
2	V-BAND	AISI 304	20024	1
3	CARTRIDGES PLATE	AISI 316L	.	1
4	O-RING ø5.34 ID=266.06	SILICONE *	80775S	1
5	GASKET CLAMP 2"	PTFE	80022P	2
6	BEND FLANGE	AISI 304	1563	4
7	INLET BEND	AISI 316L	.	1
8	OUTLET BEND	AISI 316L	.	1
9	COMPLETE LEG	AISI 304	20304	3
11	PROTECTION PLATE	AISI 316L	1045	1
12	EXAGONAL NUT	AISI 316L	80792	6
13	TIE ROD 10"	AISI 316L	1880	2
	TIE ROD 20"	AISI 316L	1546	2
	TIE ROD 30"	AISI 316L	1547	2
	TIE ROD 40"	AISI 316L	1548	2
14	TIE ROD SCREW	AISI 316L	80794	2

* ASK FOR AVAILABLE MATERIALS

