

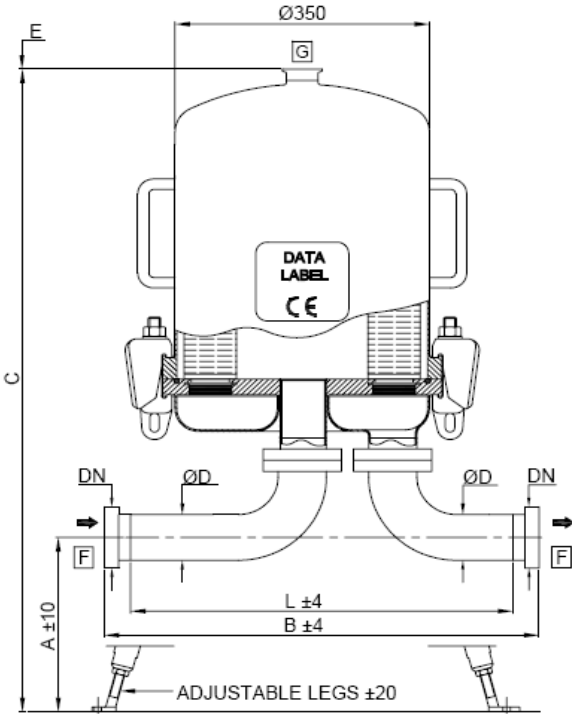
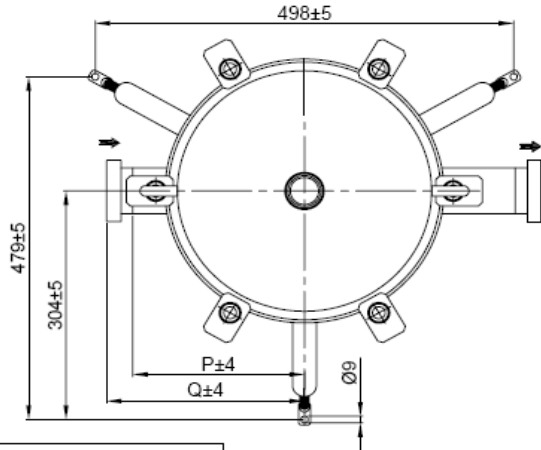
The future filtration



Via Caduti del Lavoro  
43043 Borgo Val di Taro (Parma) – Italy  
Tel. +39-0525-920108 Fax +39-0525-90177  
E.mail [info@everblue.it](mailto:info@everblue.it) Web site [www.everblue.it](http://www.everblue.it)  
C.F./P.I. IT 02177630346



## FILTRO AISI 316 L SH0-C7-12



### PART NUMBERS

CARTRIDGE SOCKET		CARTRIDGE HEIGHT	
0	226 / CODE 7	1	10"
1	222 / CODE 8	2	20"
		3	30"
		4	40"

501 X 12 Y ZZZZ

### INLET-OUTLET CONNECTIONS

		DN	A	L	P	ØD
F WELD	1051	2.0"	350	449	223	50.8
	1063	2.5"	326	467	212	63.5
	1076	3.0"	298	523	240	76.2
	1101	4.0"	295	483	220	101.6

		DN	A	B	Q	ØD
F DIN 11851 MALE PART	2050	50	350	519	258	50.8
	2065	65	326	547	252	63.5
	2080	80	316	535	246	85.0
	2100	100	295	507	192	101.6

		DN	A	B	Q	ØD
F CLAMP	3051	2.0"	350	474	236	50.8
	3063	2.5"	326	493	225	63.5
	3076	3.0"	298	536	253	76.2
	3101	4.0"	295	515	236	101.6

		DN	A	B	Q	ØD
F RJT MALE PART	4051	2.0"	350	513	255	50.8
	4063	2.5"	326	531	244	63.5
	4076	3.0"	298	587	272	76.2
	4101	4.0"	295	547	252	101.6

		DN	A	B	Q	ØD
F SMS MALE PART	5051	2.0"	350	499	248	50.8
	5063	2.5"	326	527	242	63.5
	5076	3.0"	298	593	275	76.2
	5101	4.0"	295	543	250	101.6

		DN	A	B	Q	ØD
F FLANGES DIN 2633	9060	50	307	539	268	63.5
	9076	65	279	557	257	76.2
	9089	80	324	572	285	88.9
	9101	100	295	657	342	101.6

		DN	A	B	Q	ØD
F FLANGES ANSI 150 lb	8060	2.5"	307	607	282	63.5
	8076	3.0"	279	663	310	76.2
	8089	3.5"	324	572	285	88.9
	8101	4.0"	295	635	296	101.6

### TECHNICAL DATA

VESSEL RANGE	SH - SANITARY
NO. CARTRIDGES	12
DESIGN CODE	AD MERKBLATT
CERTIFICATION	CE 97/23 PED
FLUID GROUP	1 - 2 (DANGEROUS AND NOT)
HAZARD CATEGORY	I
DESIGN PRESSURE (PS)	9.0 bar
TEST PRESSURE (PT)	13.0 bar
VESSEL MATERIAL	316L / 1.4404
SEALS MATERIAL	SILICONE FDA BGA APPROVED
INTERNAL FINISHING	MECHANICAL POLISHING
INTERNAL ROUGHNESS	RA<0.8 MICRON
EXTERNAL FINISHING	MECHANICAL POLISHING
VENT CONNECTION [G]	CLAMP 1.5"

VESSEL TYPE	SH121	SH122	SH123	SH124
CARTRIDGES HEIGHT	10"	20"	30"	40"
C mm	930	1180	1430	1680
E mm	290	540	790	1040
TOTAL VESSEL VOLUME litres (V)	41	66	89	113
INTEGRITY TEST VOLUME litres (Vi)	26	40	54	68
BOWL WEIGHT kg	10	14.5	19	23.5
TOTAL NET WEIGHT kg	58	62	66	70
PACKAGING SIZE	CM54x53x	75	100	125
TOTAL WEIGHT PACKED kg	63	67	71	76

WORKING CONDITIONS CE 97/23			MAX PRESSURE bar			
FLUID GROUP	STATE	TEMPERAT.	SH121	SH122	SH123	SH124
DANGEROUS	LIQUID	0 - 40° C	9.0	9.0	9.0	9.0
DANGEROUS	LIQUID	150° C	7.0	7.0	7.0	7.0
DANGEROUS	GAS/VAPOR	0 - 150° C	1.2	0.7	0.5	0.5
NOT DANGER.	LIQUID	0 - 40° C	9.0	9.0	9.0	9.0
NOT DANGER.	LIQUID	150° C	7.0	7.0	7.0	7.0
NOT DANGER.	GAS/VAPOR	0 - 150° C	4.8	3.0	2.2	1.7
INTEGRITY TEST			7.6	5.0	3.7	2.9

*The future filtration*



Via Caduti del Lavoro  
43043 Borgo Val di Taro (Parma) – Italy  
Tel. +39-0525-920108 Fax +39-0525-90177  
E.mail [info@everblue.it](mailto:info@everblue.it) Web site [www.everblue.it](http://www.everblue.it)  
C.F./P.I. IT 02177630346



POS.	DESCRIPTION	MATERIAL	PART. NO.	Q.TY
1.1	HOUSING BOWL 20"	AISI 316L	1767	1
1.2	HOUSING BOWL 30"	AISI 316L	1768	1
1.3	HOUSING BOWL 40"	AISI 316L	1769	1
2	BOLT CLAMP M16	AISI 316Ti	1812C	6
3	O-RING $\phi 7.00$ ID=342.30	SILICONE *	80745S	1
4	CARTRIDGES PLATE	AISI 316L	.	1
5	LEG	AISI 304	1578	3
6	FOOT	AISI 304	1746	3
7	CLAMP 3"	AISI 304	80170	2
8.1	GASKET CLAMP 3"	PTFE	80024P	2
8.2	O-RING $\phi 5.34$ ID=100.00	SILICONE *	80749S	2
9	INLET BEND	AISI 316L	.	1
10	OUTLET BEND	AISI 316L	.	1
11	PROTECTION PLATE	AISI 316L	1650	1
12	EXAGONAL NUT	AISI 316L	80792	9
13	TIE ROD 10"	AISI 316L	1880	3
	TIE ROD 20"	AISI 316L	1546	3
	TIE ROD 30"	AISI 316L	1547	3
	TIE ROD 40"	AISI 316L	1548	3
14	TIE ROD SCREW	AISI 316L	80794	3

\* ASK FOR AVAILABLE MATERIALS

