

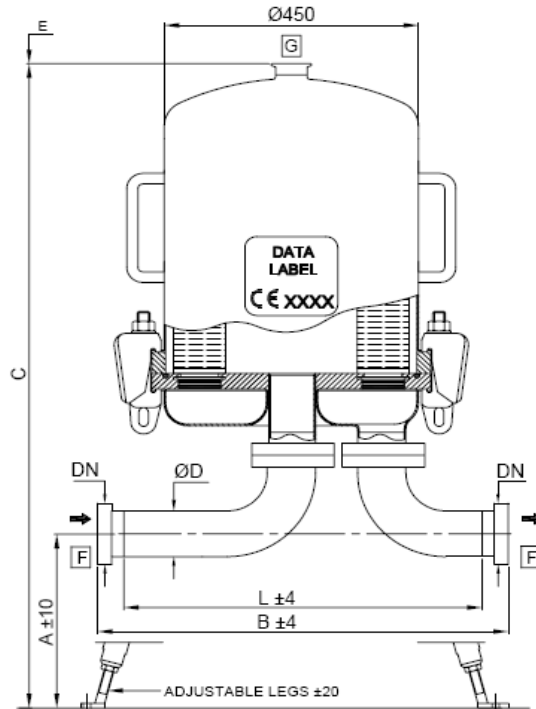
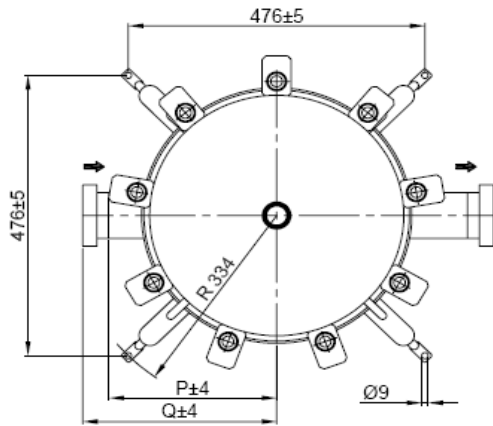
The future filtration



Via Caduti del Lavoro
43043 Borgo Val di Taro (Parma) – Italy
Tel. +39-0525-920108 Fax +39-0525-90177
E.mail info@everblue.it Web site www.everblue.it
C.F./P.I. IT 02177630346



FILTRO AISI 316 L SH0-C7-24



PART NUMBERS

CARTRIDGE SOCKET		CARTRIDGE HEIGHT	
0	226 / CODE 7	1	10"
1	222 / CODE 8	2	20"
		3	30"
		4	40"

501 X 24 Y ZZZZ

INLET-OUTLET CONNECTIONS

F	WELD	1063 1076 1101 1114 1139	DN	A	L	P	ØD
			2.5"	300	538	252	63.5
3.0"	272	554	240	76.2			
4.0"	292	534	240	101.6			
4.0"	280	559	253	114.3			
5.0"	238	615	271	139.7			

F	DIN 11851 MALE PART	2065 2080 2100 2125	DN	A	B	Q	ØD
			65	300	618	292	63.5
80	310	616	296	85.0			
100	292	638	292	101.6			
125	244	701	314	129.0			

F	CLAMP	3063 3076 3101	DN	A	B	Q	ØD
			2.5"	300	564	265	63.5
3.0"	272	580	253	76.2			
4.0"	292	566	256	101.6			

F	RJT MALE PART	4063 4076 4101	DN	A	B	Q	ØD
			2.5"	300	602	284	63.5
3.0"	272	618	272	76.2			
4.0"	292	598	272	101.6			

F	SMS MALE PART	5063 5076 5101	DN	A	B	Q	ØD
			2.5"	300	598	282	63.5
3.0"	272	624	310	76.2			
4.0"	292	594	270	101.6			

F	FLANGES DIN 2633	9076 9089 9114 9139	DN	A	B	Q	ØD
			65	272	644	295	76.2
80	318	633	315	88.9			
100	280	663	305	114.3			
125	238	725	326	139.7			

F	FLANGES ANSI 150 lb	8076 8089 8114 8139	DN	A	B	Q	ØD
			3.0"	273	694	310	76.2
3.5"	318	676	336	88.9			
4.0"	280	712	329	114.3			
5.0"	238	793	360	139.7			

TECHNICAL DATA

VESSEL RANGE	SH - SANITARY
NO. CARTRIDGES	24
DESIGN CODE	AD MERKBLATT
CERTIFICATION	CE 97/23 PED
FLUID GROUP	1 - 2 (DANGEROUS AND NOT)
HAZARD CATEGORY	II
DESIGN PRESSURE (PS)	8 bar
TEST PRESSURE (PT)	11.5 bar
VESSEL MATERIAL	316L / 1.4404
SEALS MATERIAL	SILICONE FDA BGA APPROVED
INTERNAL FINISHING	MECHANICAL POLISHING
INTERNAL ROUGHTNESS	RA<0.8 MICRON
EXTERNAL FINISHING	MECHANICAL POLISHING
VENT CONNECTION [G]	CLAMP 1.5"

VESSEL TYPE	SH241	SH242	SH243	SH244
CARTRIDGES HEIGHT	10"	20"	30"	40"
C mm	975	1225	1475	1725
E mm	290	540	790	1040
TOTAL VESSEL VOLUME litres (V)	73	112	151	190
INTEGRITY TEST VOLUME litres (Vi)	40	60	80	100
BOWL WEIGHT kg	15	20	25	30
TOTAL NET WEIGHT kg	85	90	95	100
PACKAGING SIZE	CM64x63x	80	105	130
TOTAL WEIGHT PACKED kg	92	98	103	108

WORKING CONDITIONS CE 97/23			MAX PRESSURE bar			
FLUID GROUP	STATE	TEMPERAT.	SH241	SH242	SH243	SH244
DANGEROUS	LIQUID	0 - 40° C	8.0	8.0	8.0	8.0
DANGEROUS	LIQUID	150° C	6.2	6.2	6.2	6.2
DANGEROUS	GAS/VAPOR	0 - 150° C	2.7	1.7	1.3	1.0
NOT DANGER.	LIQUID	0 - 40° C	8.0	8.0	8.0	8.0
NOT DANGER.	LIQUID	150° C	6.2	6.2	6.2	6.2
NOT DANGER.	GAS/VAPOR	0 - 40° C	8.0	8.0	6.5	5.2
NOT DANGER.	GAS/VAPOR	150° C	6.2	6.2	6.2	5.2
INTEGRITY TEST			8.0	8.0	8.0	8.0

The future filtration



Via Caduti del Lavoro
43043 Borgo Val di Taro (Parma) – Italy
Tel. +39-0525-920108 Fax +39-0525-90177
E.mail info@everblue.it Web site www.everblue.it
C.F./P.I. IT 02177630346



POS.	DESCRIPTION	MATERIAL	PART. NO.	Q.TY
1.1	HOUSING BOWL 30"	AISI 316L	1770	1
1.2	HOUSING BOWL 40"	AISI 316L	1771	1
2	BOLT CLAMP M16	AISI 316Ti	1812C	9
3	O-RING ø7.00 ID=443.40	SILICONE *	80020S	1
4	CARTRIDGES PLATE	AISI 316L	1722	1
5	LEG	AISI 304	1578	4
6	FOOT	AISI 304	1746	4
7	O-RING ø5.34 ID=136.50	SILICONE *	80754S	2
8	INLET BEND	AISI 316L	.	1
9	OUTLET BEND	AISI 316L	.	1
10	PROTECTION PLATE	AISI 316L	1744	1
11	EXAGONAL NUT	AISI 316L	80792	9
12	TIE ROD 10"	AISI 316L	1880	3
	TIE ROD 20"	AISI 316L	1546	3
	TIE ROD 30"	AISI 316L	1547	3
	TIE ROD 40"	AISI 316L	1548	3
13	TIE ROD SCREW	AISI 316L	80794	3

* ASK FOR AVAILABLE MATERIALS

