

Ionpure® VNX-Mini High Flow Continuous Electrodeionization (CEDI) Modules

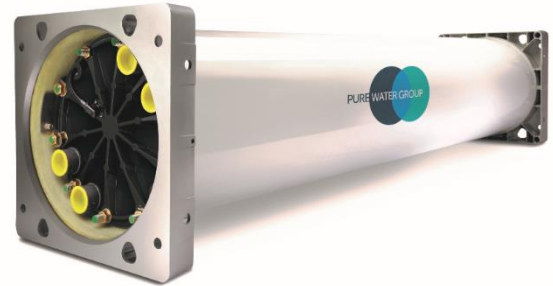
VNX Module — VNX-Mini

The VNX-platform provides the highest flow rate per module of any other CEDI module available today. The VNX-Mini expands on that legacy with the same proven CEDI technology to produce high-purity water with a nominal flow rate of 12 m³/h (52.8 gpm)

The VNX-Mini utilize connectors for stacking VNX modules and simple hydraulics connections that keep system design and overall capital cost to a minimum.

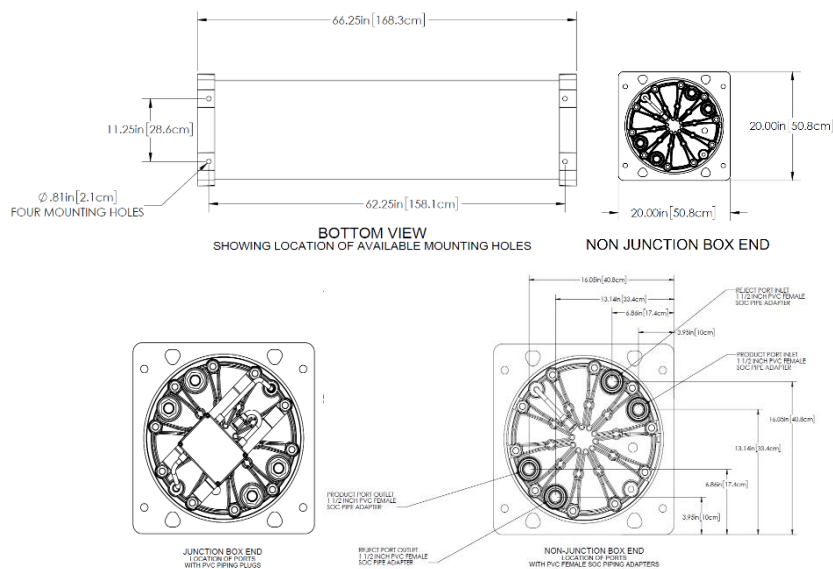
The VNX-Mini can be used with our most advanced switch mode high-frequency power supply (PSSW) to ensure you have the power available to meet your performance needs.

For additional information:
e-mail EDIsupport@purewatergroup.com
call +31 165 348 253
or visit www.purewatergroup.com

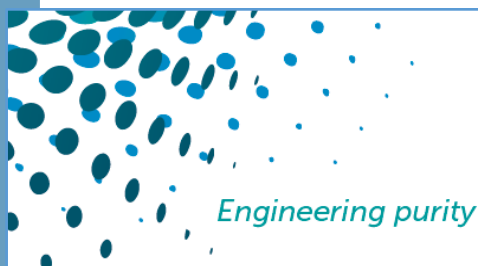


VNX-Mini Series Features

- Typically > 17 MΩ-cm product water resistivity
- Maximum flow per VNX-Mini module of 18 m³/h (79.2 gpm)
- 1 ppm maximum feed water hardness (as CaCO₃)
- Up to 95% recovery
- Ideal for critical boiler feed applications
- On-board junction box
- Optional PP 3-part union connectors
- Robust leak-free design with standard 3-year* warranty



*3-Year Prorated warranty see warranty documents for details.



Engineering purity



INTERNATIONAL IONPURE MASTER SERVICE PROVIDER

VNX-Mini High Flow Continuous Electrodeionization (CEDI) Modules

Operating environment

Installation should be indoors with no direct sunlight and it should have a maximum room temperature of 45°C (113°F).

Materials of construction

1. Wetted components of the VNX module consists of: PVC (adapters), nylon/ABS polyphenylene, silicone, ion-selective membranes, ion exchange resins and thermoplastic elastomer.
2. Polypropylene 3-part union connectors available for purchase.
3. Housing is fiberglass reinforced plastic (FRP). Standard color is white with glossy finish. Custom colors and labeling are available.
4. The bracket/end-block assembly is an epoxy painted aluminum casting suitable for securing modules to the frames and/or each other in Pure Water Group system approved configurations.

Quality Assurance Standards

CE marked: each module is factory tested to meet strict industry standards and is manufactured in an ISO 9001 and ISO 14000 quality and environmental management system.

Halal certification: modules are manufactured in accordance with the Islamic Food and Nutrition Council of America Standards (IFANCA), and will carry the Crescent M Halal Logo.

Accessories Ordering Information

PSSW60012	DC power supply 3x400 VAC-600VDC/12A/4.8kW
CISW00108	Control Interface for communication PSSW - PLC
DSPPPSSW08	Control display for 1-8x PSSW
DSPPPSSW01	Control Display for PSSW
CSXPP3P06	Con. set VNX-2, PP-3P, 2x50DN40, 2x25DN20, 2018 version

Maximum Feed Water Specifications

Feed water conductivity equivalent, Including CO ₂ and Silica	≤ 40 µS/cm
Feed water source	RO permeate
Temperature	5 – 45°C (40 - 113°F)
Maximum inlet pressure	6.9 bar (100 psi)
Maximum total chlorine (as Cl ₂)	< 0.02 ppm
Iron (Fe)	< 0.01 ppm
Manganese (Mn)	< 0.01 ppm
Sulphide (S ⁻)	< 0.01 ppm
pH	4 – 11
Total hardness (as CaCO ₃)	≤ 1.0 ppm
Dissolved organics (TOC as C)	≤ 0.5 ppm
Silica (SiO ₂)	≤ 1.0 ppm

Typical Module Performance

Operating Parameters

Recovery	90 – 95%
Flow rate: minimum	6 m ³ /h (26.4 gpm)
Flow rate: nominal	12 m ³ /h (52.8 gpm)
Flow rate: maximum	18 m ³ /h (79.2 gpm)
DC voltage	0 – 600
DC amperage	0 – 7

Product Water Quality

Product resistivity – RO permeate	> 17 MΩ-cm*
Product resistivity – DI permeate	> 18 MΩ-cm*
Silica (SiO ₂) removal	≥ 95%
Boron (B) removal	≥ 95%
Sodium (Na) removal	≥ 99.8%
Chloride (Cl) removal	≥ 99.8%

*Actual performance may be determined using the projection software

Ordering Information and Physical Specifications

Order #	Module #	Width	Height	Length	Shipping Weight
0111000036	VNX-MINI-1	50.8 cm (20.0")	50.8 cm (20.0")	168 cm (66.14")	398 kg (877 lbs)

Pure Water Group
Korte Hei 3
4714 RD Sprundel
Tel. +31 165 348 253
info@purewatergroup.com
www.purewatergroup.com

longpure is a trademark of Evoqua, its subsidiaries or affiliates. The information provided in this literature contains merely general descriptions or characteristics of performance which in actual case of use do not always apply as described or which may change as a result of further development of the products. An obligation to provide the respective characteristics shall only exist if expressly agreed in terms and of the contract